

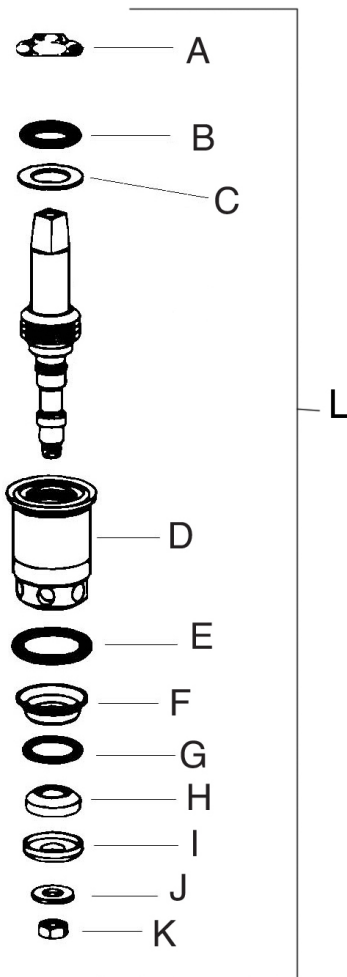
# Quatern Operating Cartridge Exposed & Concealed Cap (After 1997)



**33580 / 335800**



**33692 / 336920**



A	21129	Cap Nut (RB)
	21123	Cap Nut (CP)
B	00027	3/8" ID X 5/8" OD X 1/8" O-Ring
C	13038	Friction Ring
D	99050036	RH Hot Quatern Sleeve (RB)
	99050037	LH Cold Quatern Sleeve (RB)
E	00035	11/16" ID X 13/16" OD X 1/16" O-Ring
F	09822	Monel Seat NF
G	09823	O-Ring
H	21139	Rubber Seat Washer NF
I	24968	Retainer NF
J	21115	Pedal Valve Washer NF
K	21116	Stem Nut NF
L	33580	Hot Stem Unit Short
	335800	Cold Stem Unit Short
	33692	Hot Stem Unit Long
	336920	Cold Stem Unit Long
	24935*	New Cartridge Repair Kit

\*Includes B, C, & E, F, G, H, I, J, K.